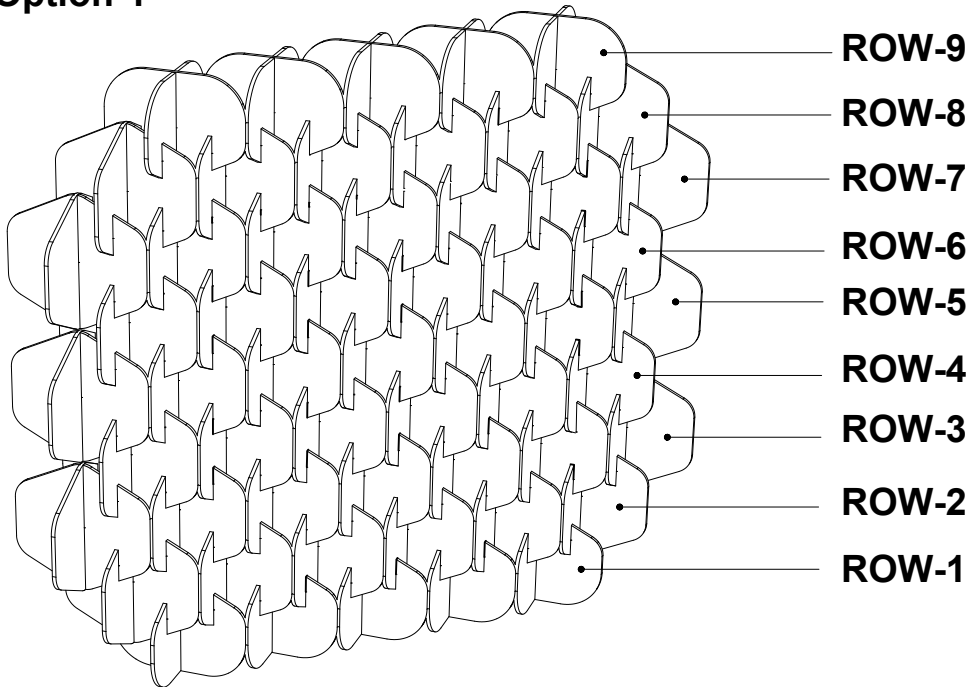
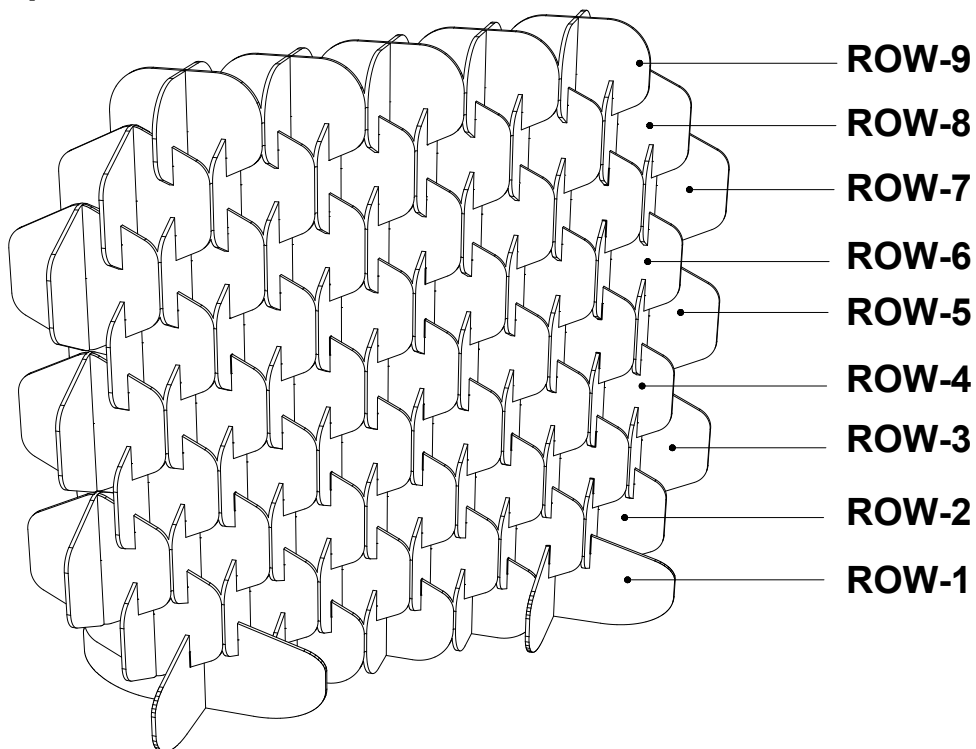
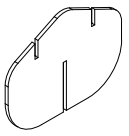
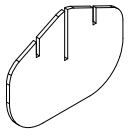
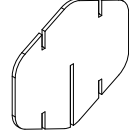
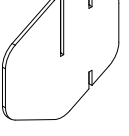
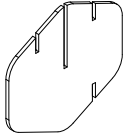
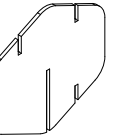
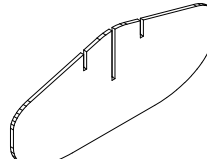
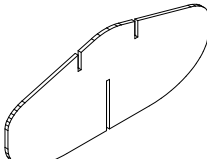


Option-1

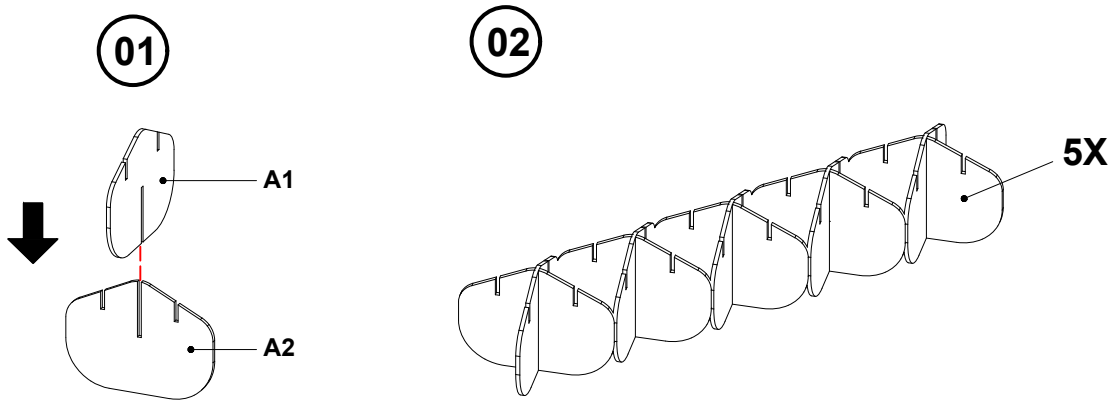


Option-2

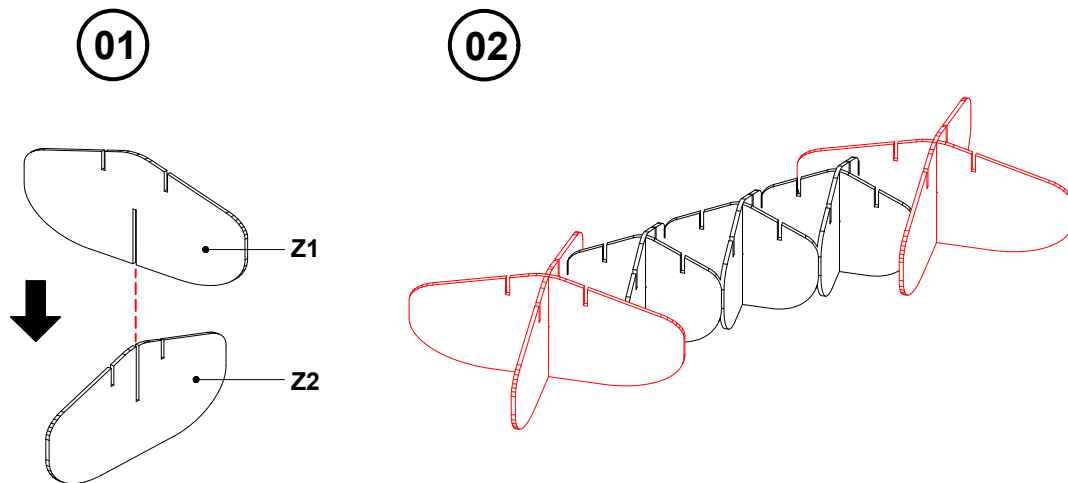


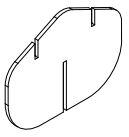
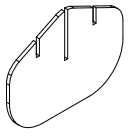
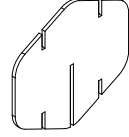
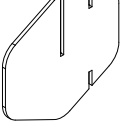
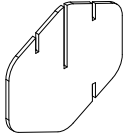
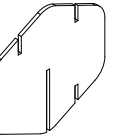
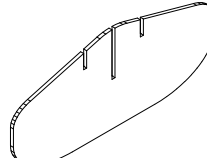
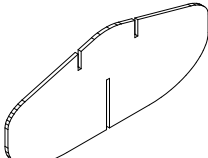
<p>A1</p>  <p>10x</p>	<p>A2</p>  <p>10x</p>	<p>B</p>  <p>70x</p>	<p>D</p>  <p>12x</p>
<p>C1</p>  <p>4x</p>	<p>C2</p>  <p>4x</p>	<p>Z1</p>  <p>2x</p>	<p>Z2</p>  <p>2x</p>

ROW-1 (Option-1)

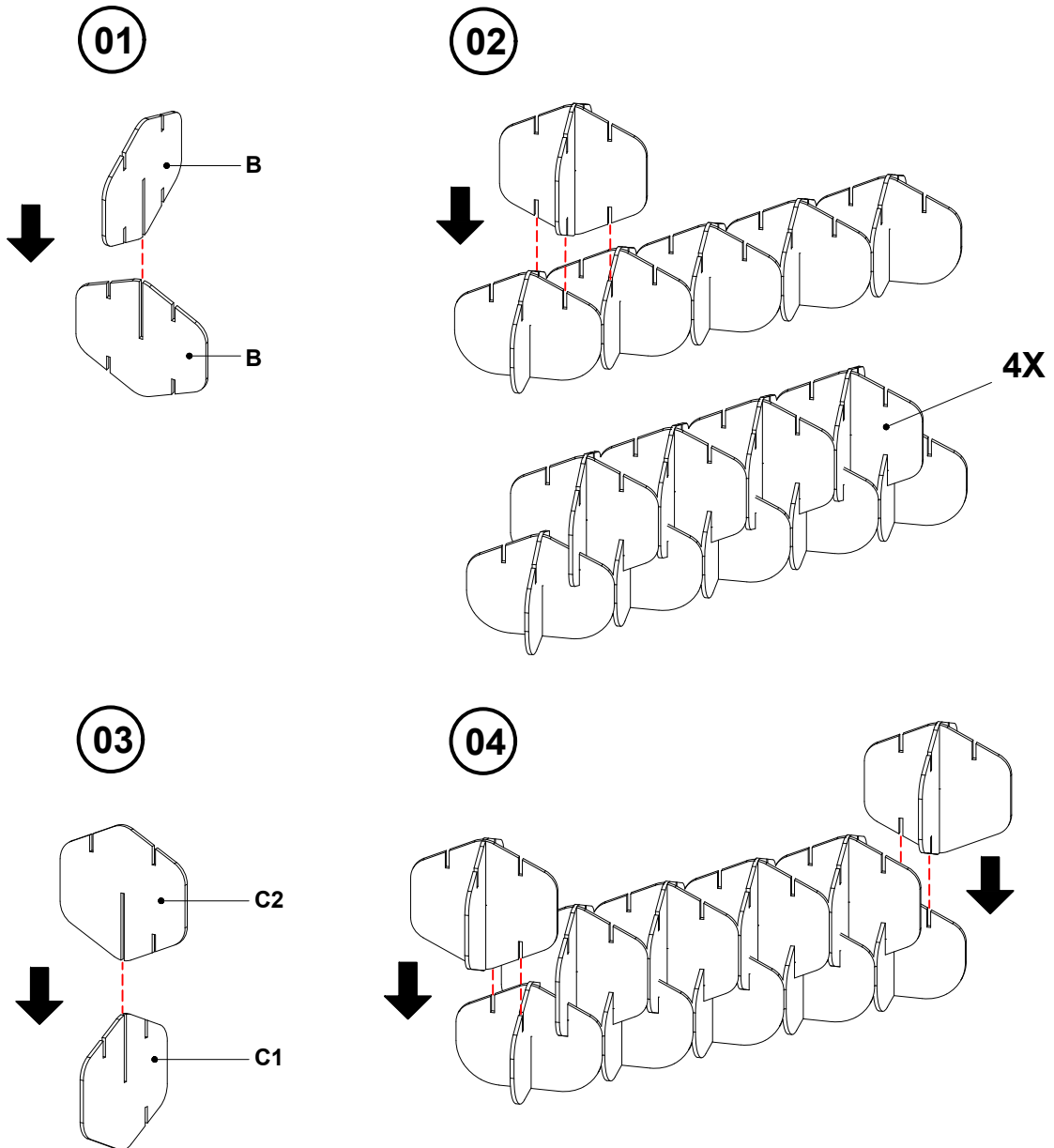


ROW-1 (Option-2)



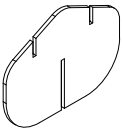
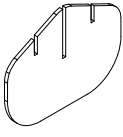
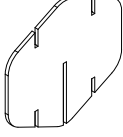
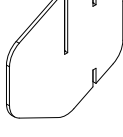
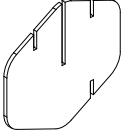
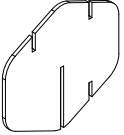
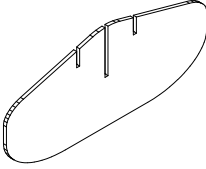
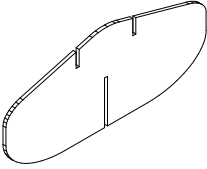
A1  10x	A2  10x	B  70x	D  12x
C1  4x	C2  4x	Z1  2x	Z2  2x

ROW-2

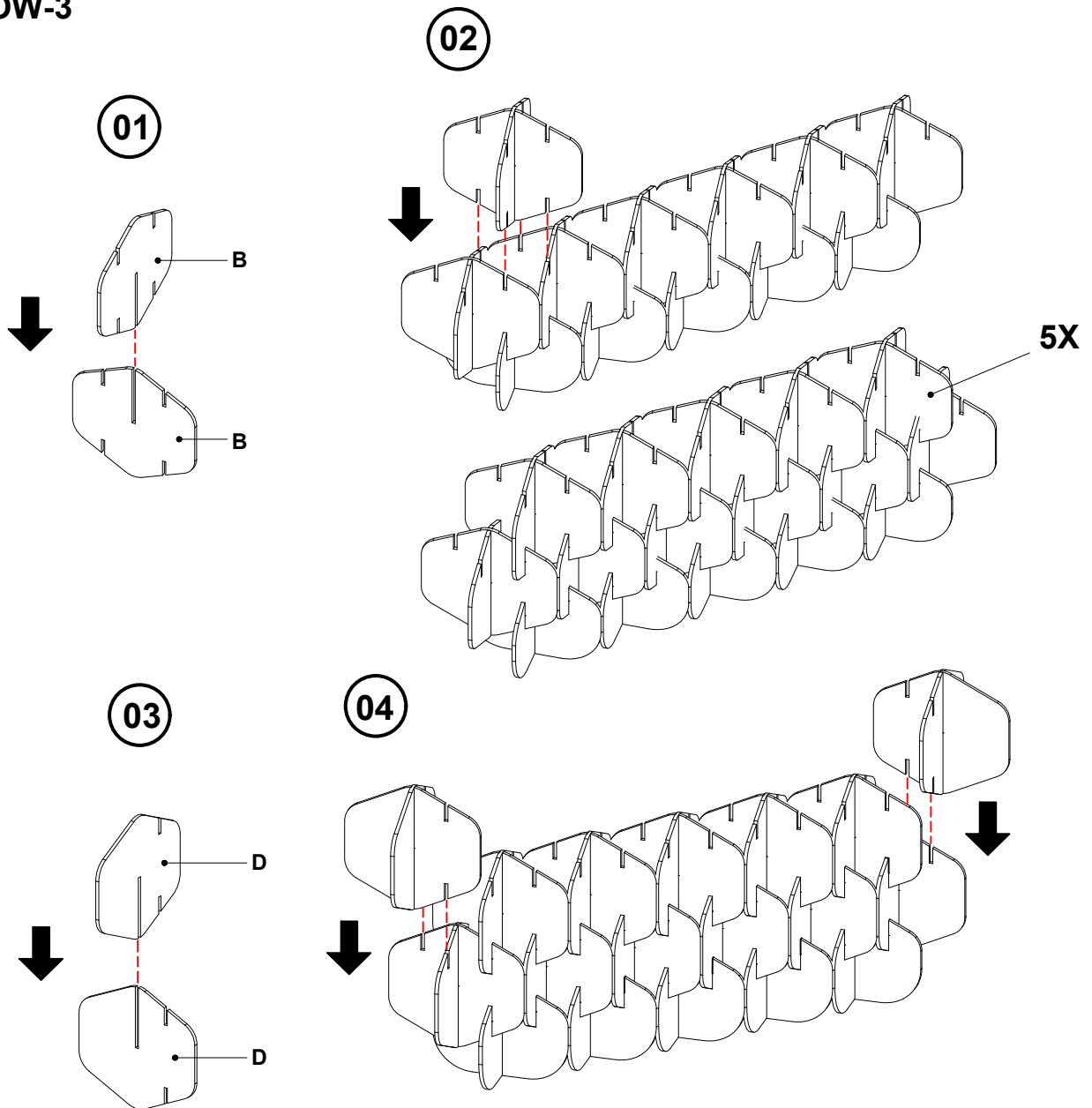


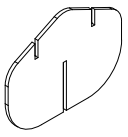
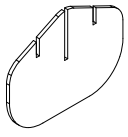
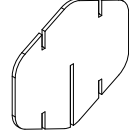
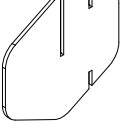
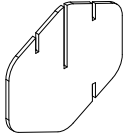
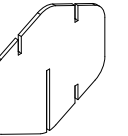
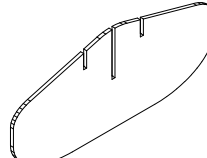
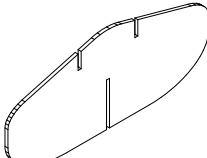
ASSEMBLY INSTRUCTION

Model : KONECT ROOM DIVIDER

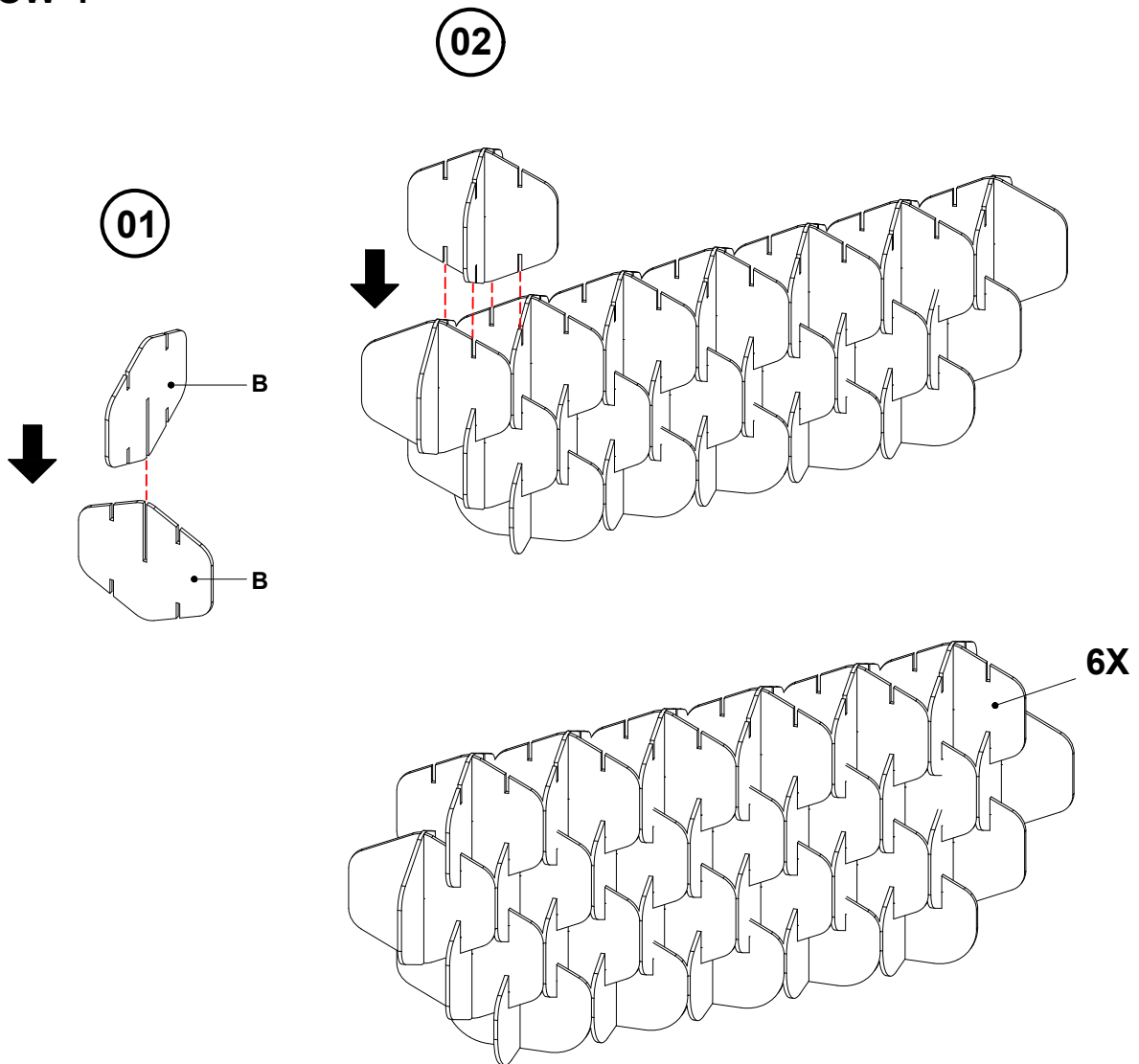
A1  10x	A2  10x	B  70x	D  12x
C1  4x	C2  4x	Z1  2x	Z2  2x

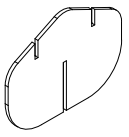
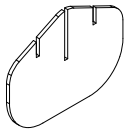
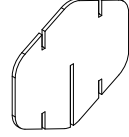
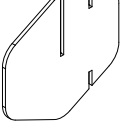
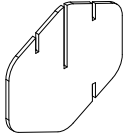
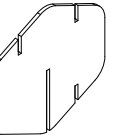
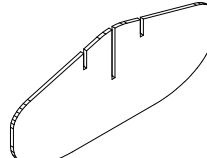
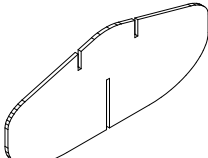
ROW-3



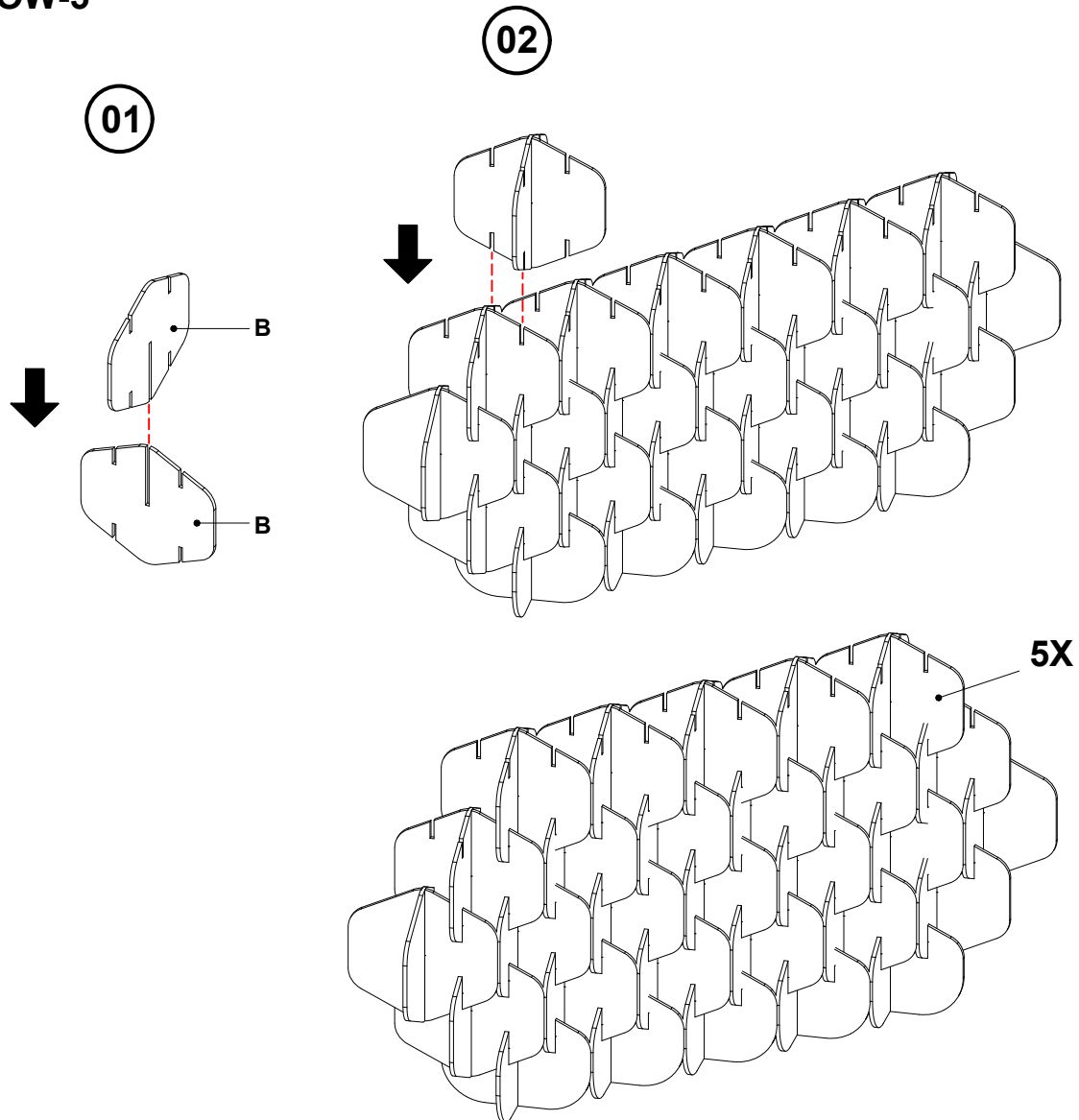
<p>A1</p>  <p>10x</p>	<p>A2</p>  <p>10x</p>	<p>B</p>  <p>70x</p>	<p>D</p>  <p>12x</p>
<p>C1</p>  <p>4x</p>	<p>C2</p>  <p>4x</p>	<p>Z1</p>  <p>2x</p>	<p>Z2</p>  <p>2x</p>

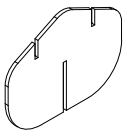
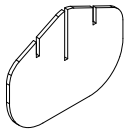
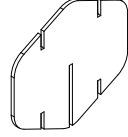
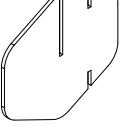
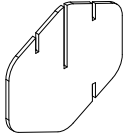
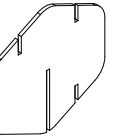
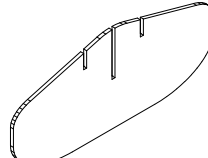
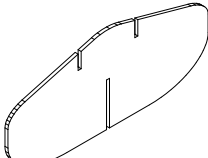
ROW-4



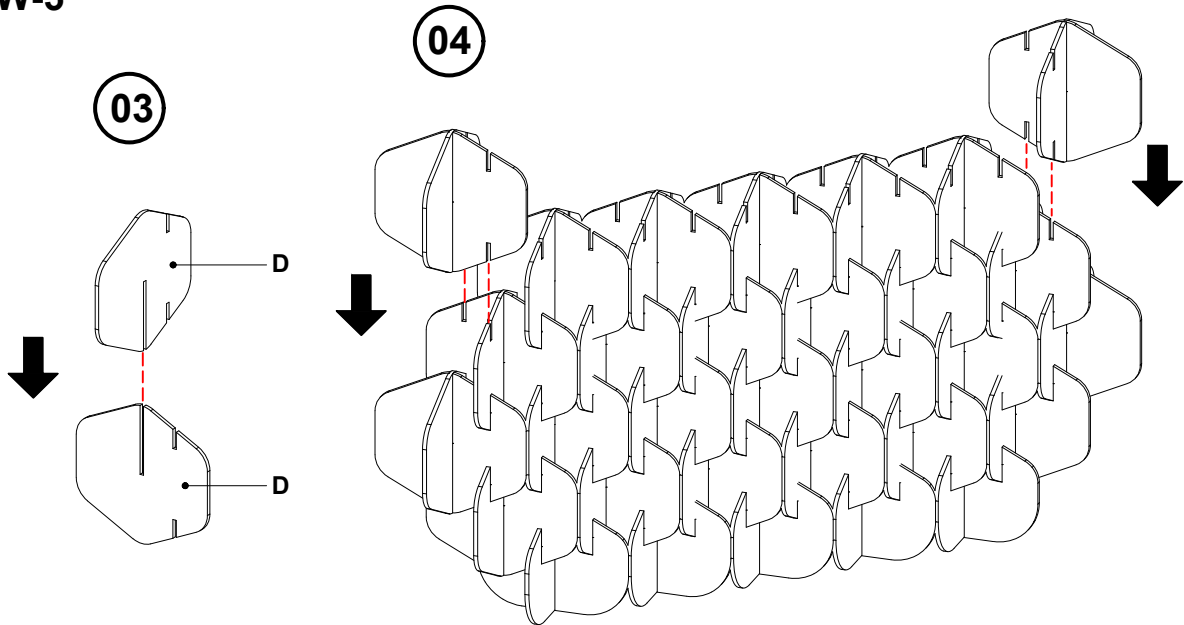
A1  10x	A2  10x	B  70x	D  12x
C1  4x	C2  4x	Z1  2x	Z2  2x

ROW-5

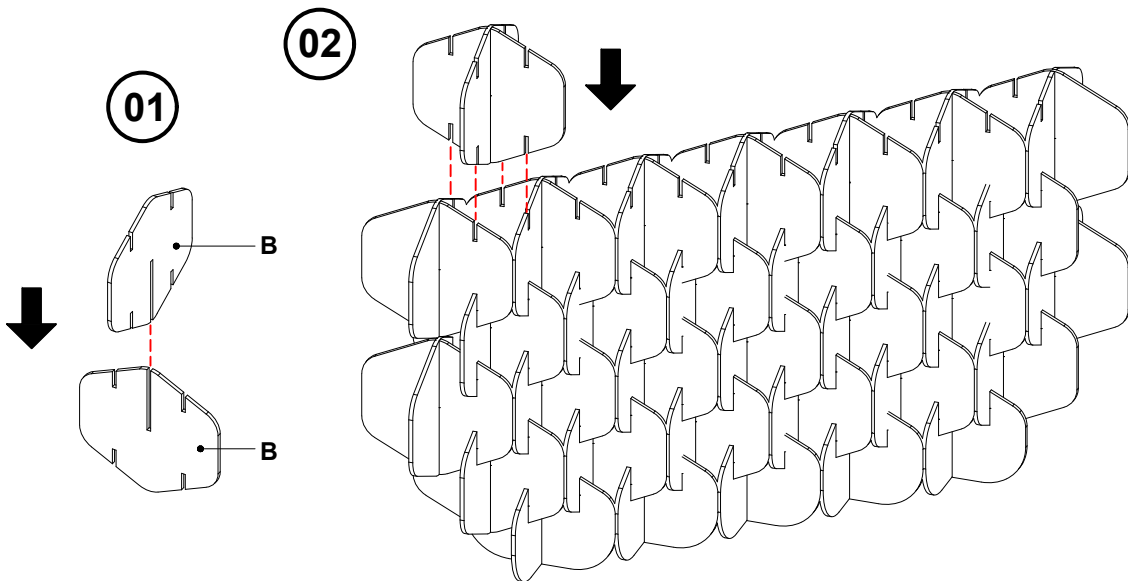


<p>A1</p>  <p>10x</p>	<p>A2</p>  <p>10x</p>	<p>B</p>  <p>70x</p>	<p>D</p>  <p>12x</p>
<p>C1</p>  <p>4x</p>	<p>C2</p>  <p>4x</p>	<p>Z1</p>  <p>2x</p>	<p>Z2</p>  <p>2x</p>

ROW-5

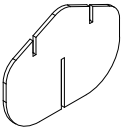
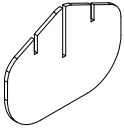
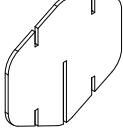
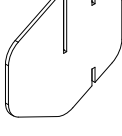
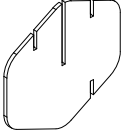
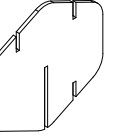
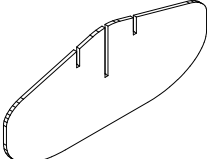
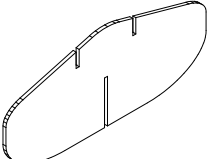


ROW-6

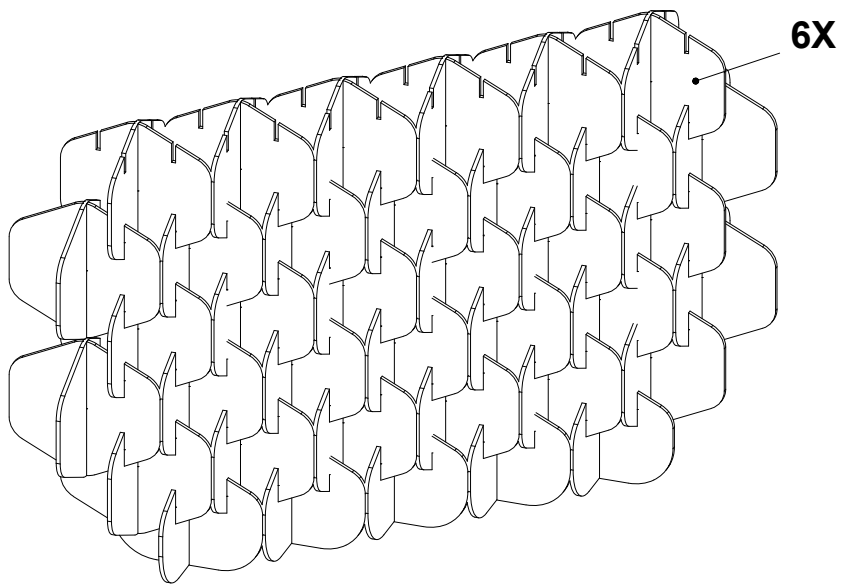


ASSEMBLY INSTRUCTION

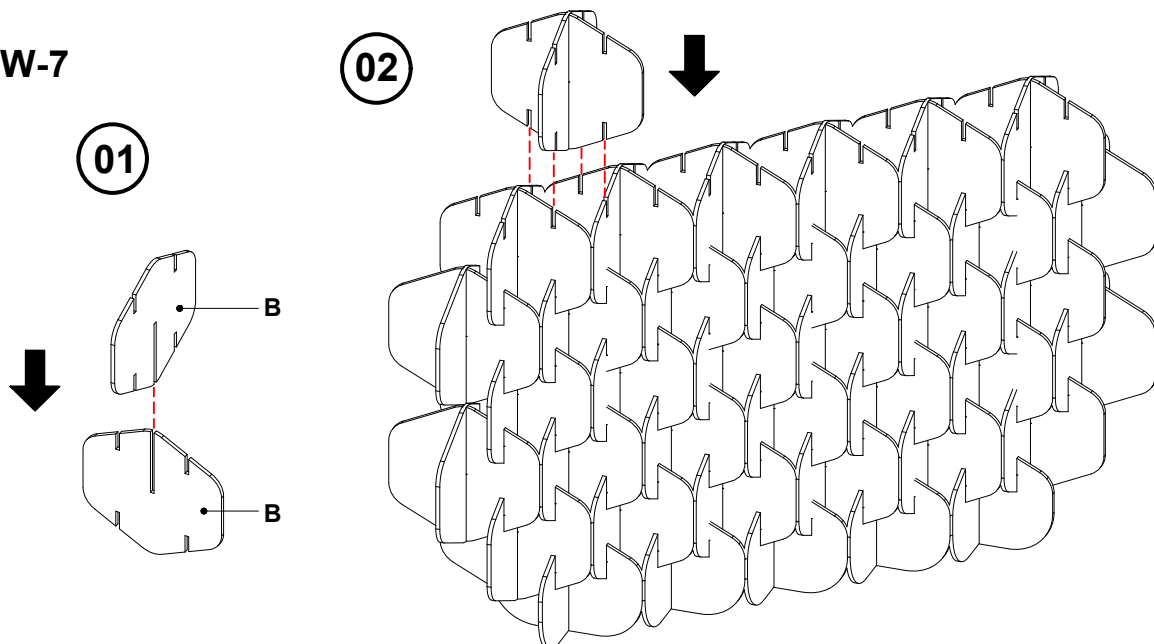
Model : KONECT ROOM DIVIDER

A1  10x	A2  10x	B  70x	D  12x
C1  4x	C2  4x	Z1  2x	Z2  2x

ROW-6

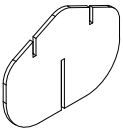
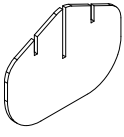
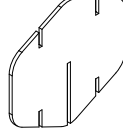
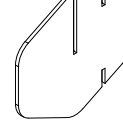
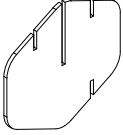
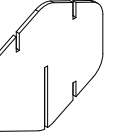
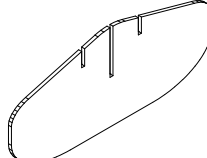
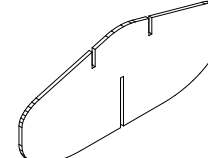


ROW-7

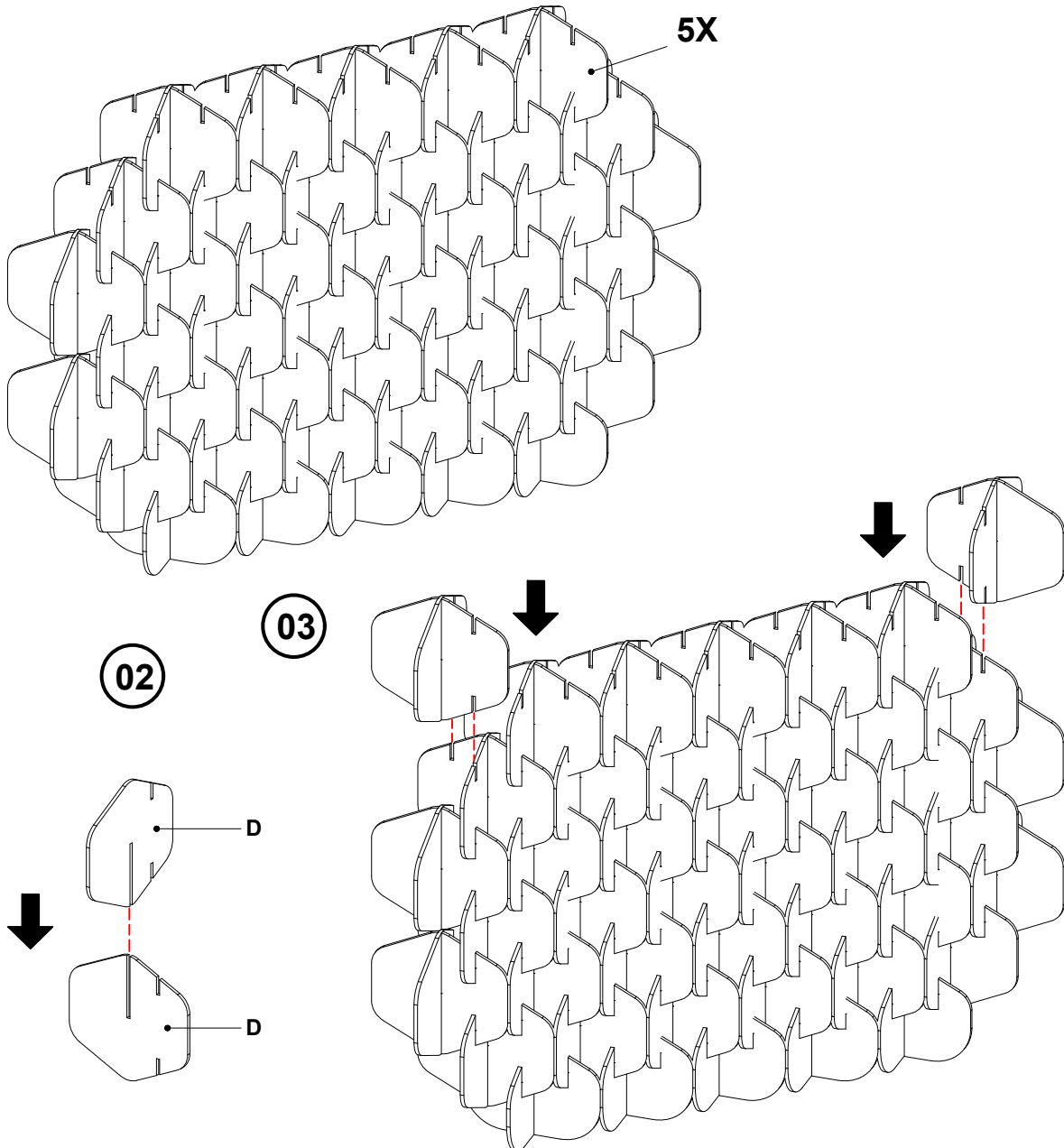


ASSEMBLY INSTRUCTION

Model : KONECT ROOM DIVIDER

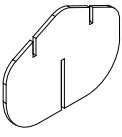
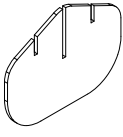
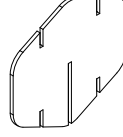
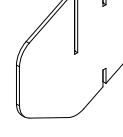
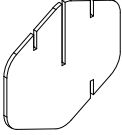
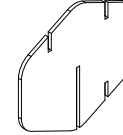
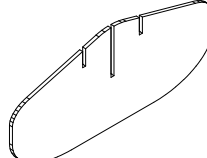
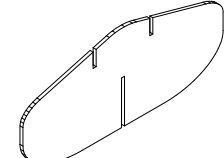
A1  10x	A2  10x	B  70x	D  12x
C1  4x	C2  4x	Z1  2x	Z2  2x

ROW-7

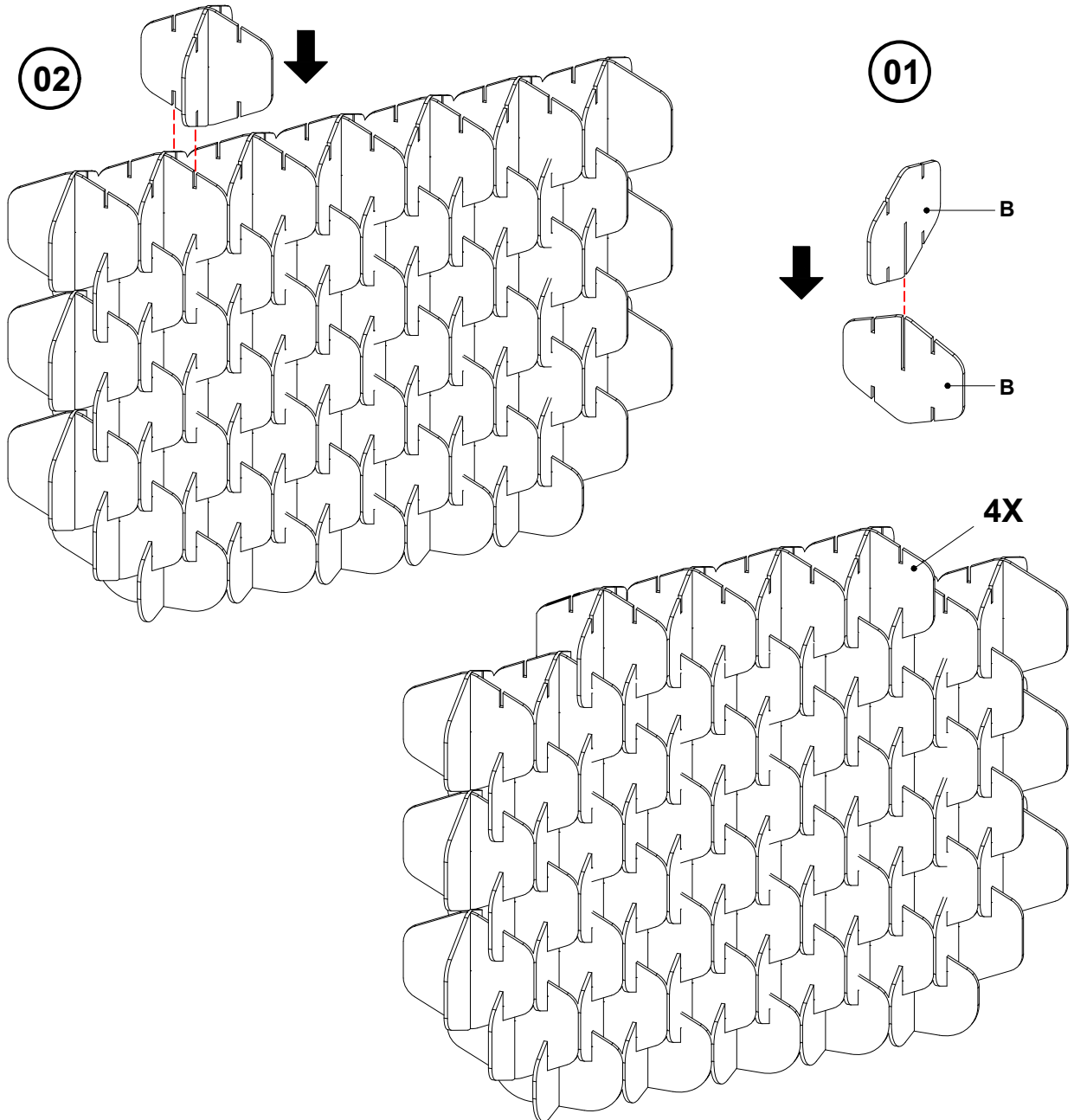


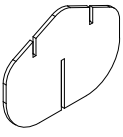
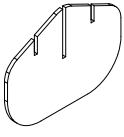
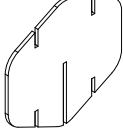
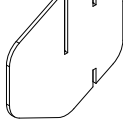
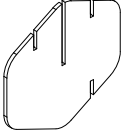
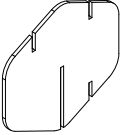
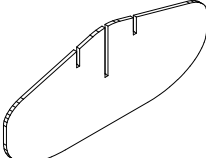
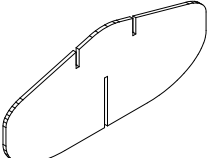
ASSEMBLY INSTRUCTION

Model : KONECT ROOM DIVIDER

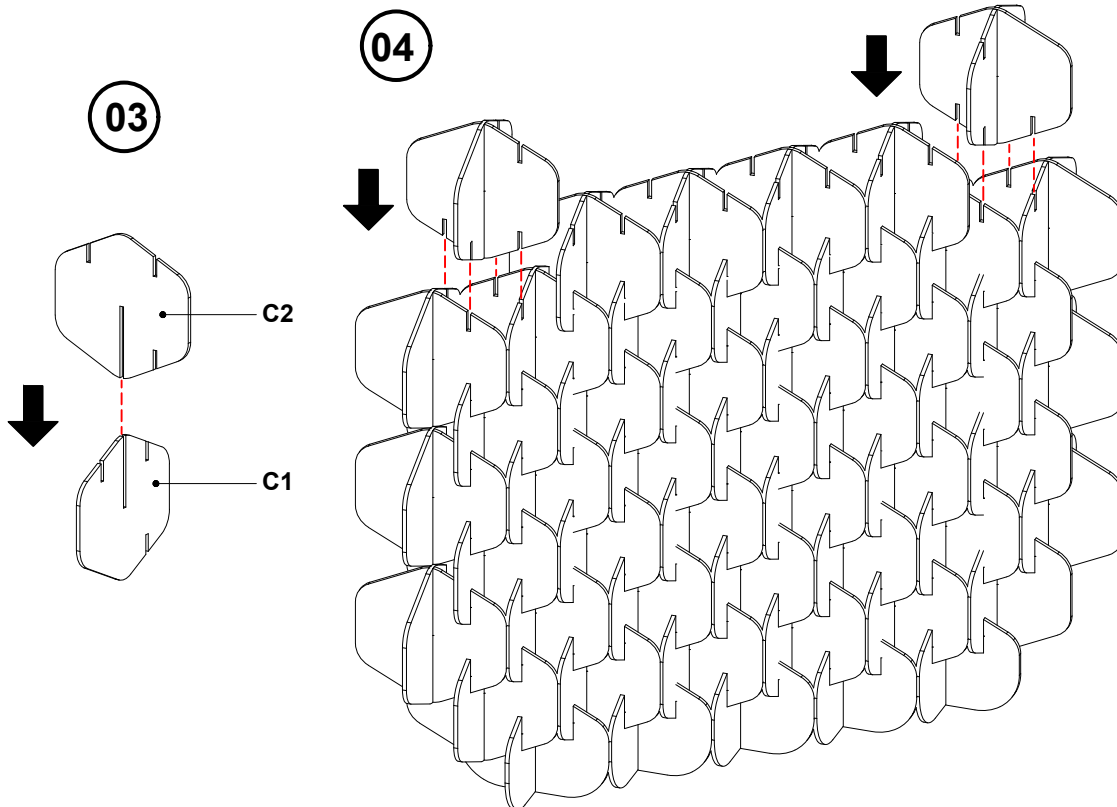
A1  10x	A2  10x	B  70x	D  12x
C1  4x	C2  4x	Z1  2x	Z2  2x

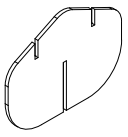
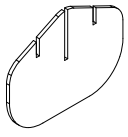
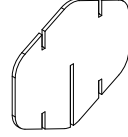
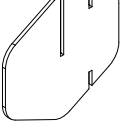
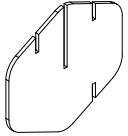
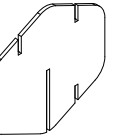
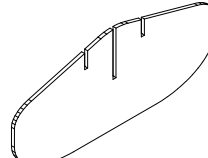
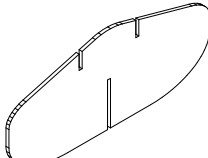
ROW-8



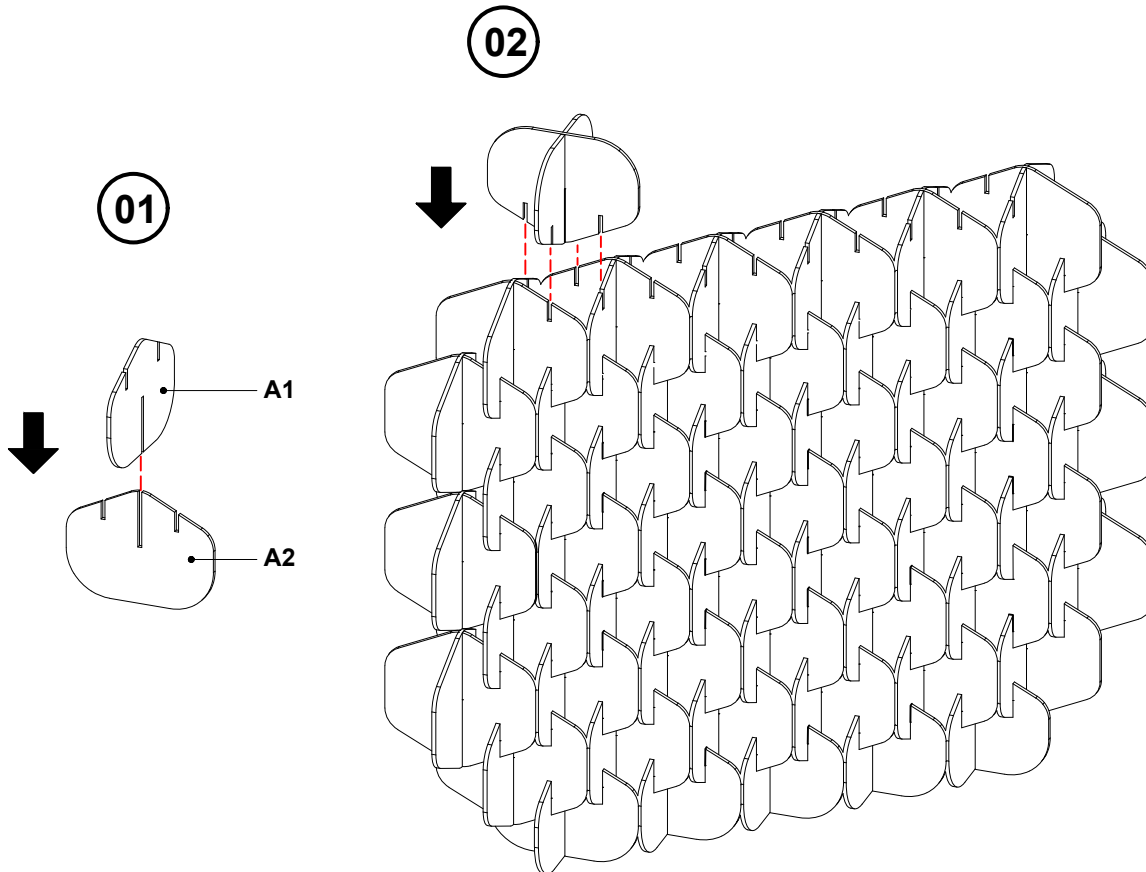
A1  10x	A2  10x	B  70x	D  12x
C1  4x	C2  4x	Z1  2x	Z2  2x

ROW-8



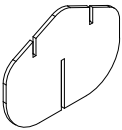
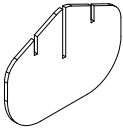
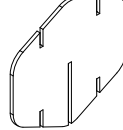
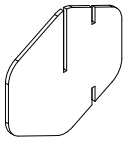
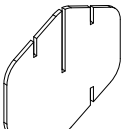
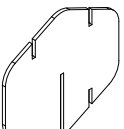
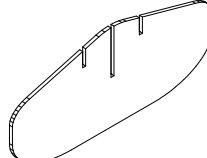
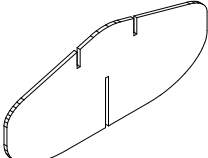
A1  10x	A2  10x	B  70x	D  12x
C1  4x	C2  4x	Z1  2x	Z2  2x

ROW-9



ASSEMBLY INSTRUCTION

Model : KONECT ROOM DIVIDER

A1  10x	A2  10x	B  70x	D  12x
C1  4x	C2  4x	Z1  2x	Z2  2x

